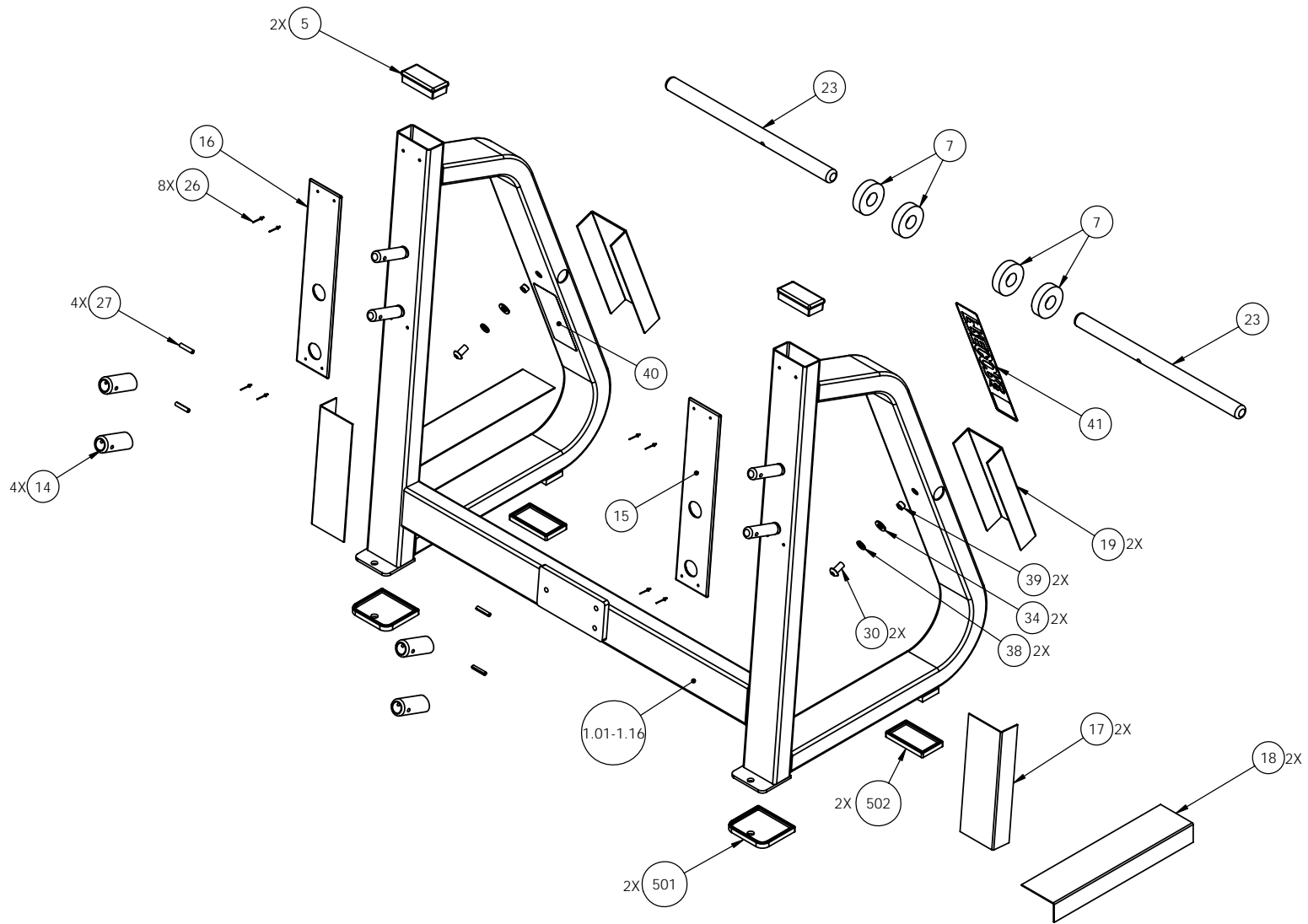
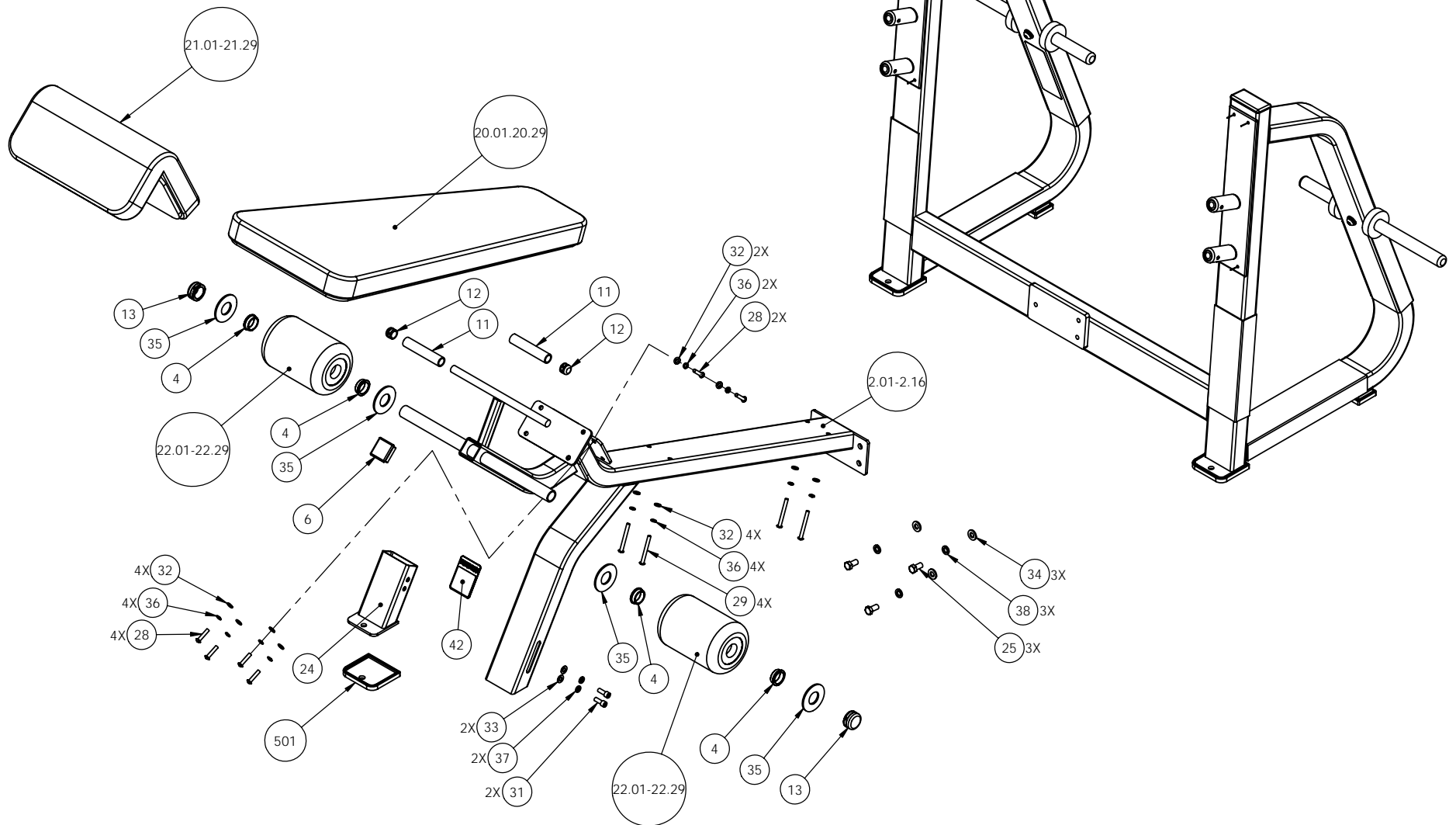


411	P/N : CW30940-101	SUBREV : B
DRAWN BY : CT	DATE : 02.10.06	SHEET 1 OF 3



411	P/N : CW30940-101	SUBREV : B
DRAWN BY : CT	DATE : 02.10.06	SHEET 2 OF 3



411	P/N : CW30940-101	SUBREV : B
DRAWN BY : CT	DATE : 02.10.06	SHEET 3 OF 3

411 Olympic Decline Bench

Part Number	Description	Bubble Number
CW411SA1-211	ASSY,FRAME,MAIN,411,SKY WHITE	1.01
CW411SA1-221	ASSY,FRAME,MAIN,411,BLACK	1.02
CW411SA1-231	ASSY,FRAME,MAIN,411,RED	1.03
CW411SA1-241	ASSY,FRAME,MAIN,411,PLAT SPRKLE	1.04
CW411SA1-251	ASSY,FRAME,MAIN,411,SILVER	1.05
CW411SA1-261	ASSY,FRAME,MAIN,411,BLUE	1.06
CW411SA1-271	ASSY,FRAME,MAIN,411,CHARCOAL	1.07
CW411SA1-281	ASSY,FRAME,MAIN,411,CATH GRAY	1.08
CW411SA1-291	ASSY,FRAME,MAIN,411,SILVER VIEN	1.09
CW411SA1-311	ASSY,FRAME,MAIN,411,STONE HG	1.11
CW411SA1-321	ASSY,FRAME,MAIN,411,TITANIUM HG	1.12
CW411SA1-331	ASSY,FRAME,MAIN,411,WHITE GLOSS	1.13
CW411SA1-341	ASSY,FRAME,MAIN,411,BLACK ONYX	1.14
CW411SA1-351	ASSY,FRAME,MAIN,411,LT. BRONZE	1.15
CW411SA1-361	ASSY,FRAME,MAIN,411,SAPPHIRE BL	1.16
CW411SA2-211	ASSY,411,SEAT FRAME,SKY WHITE	2.01
CW411SA2-221	ASSY,411,SEAT FRAME,BLACK	2.02
CW411SA2-231	ASSY,411,SEAT FRAME,RED	2.03
CW411SA2-241	ASSY,411,SEAT FRAME,PLATINUM SPRKLE	2.04
CW411SA2-251	ASSY,411,SEAT FRAME,SILVER	2.05
CW411SA2-261	ASSY,411,SEAT FRAME,BLUE	2.06
CW411SA2-271	ASSY,411,SEAT FRAME,CHARCOAL	2.07
CW411SA2-281	ASSY,411,SEAT FRAME,CATHEDRAL GRAY	2.08
CW411SA2-291	ASSY,411,SEAT FRAME,SILVER VEIN	2.09
CW411SA2-311	ASSY,411,SEAT FRAME,STONE HG	2.11
CW411SA2-321	ASSY,411,SEAT FRAME,TITANIUM HG	2.12
CW411SA2-331	ASSY,411,SEAT FRAME,WHITE GLOSS	2.13
CW411SA2-341	ASSY,411,SEAT FRAME,BLACK ONYX	2.14
CW411SA2-351	ASSY,411,SEAT FRAME,LIGHT BRONZE	2.15
CW411SA2-361	ASSY,411,SEAT FRAME,SAPPHIRE BLUE	2.16
CW10043-135	BUSHING, BRONZE, 1 1/4" ID X 1 1/2"	4
CW11311-102	ENDCAP, REC TUBE, 2X4, BLK PLASTIC	5
CW11311-103	ENDCAP, REC TUBE, 2X2, BLK PLASTIC	6
CW12402-101	BUMPER, WEIGHT STACK, BLK RUBBER	7
CWGR2505-000	GRIP,RUBBER,3/4" DIA, 5"	11
CWAC220-901	HANDLE END CAP W/SET SCREWS, DIA 3/	12
CWAC221-901	SHAFT END CAP W/SET SCREWS, DIA 1 1	13
CWCP1012-101	CUT PIECE, UHMW, 1 1/2 OD X 1 ID X	14
CWCP1013-102	CUT PIECE, UHMW, 1/4 X 3 7/8 X 18	15
CWCP1013-101	CUT PIECE, UHMW, 1/4 X 3 7/8 X 18	16
CWCP1079-101	SHIELD ABS ANGLE 2X4X12	17
CWCP1080-101	SHIELD ABS ANGLE 2X4X17	18
CWCP8112-000	CUT PIECE, ABS CHANNEL,1/8 X 2 X 4	19
CWPD1208J-101	PAD,9X17X42,4HOLES,W/BP,BLACK,W/SLI	20.01
CWPD1208J-102	PAD,9X17X42,4HOLES,W/BP,RYL BL,W/SL	20.02
CWPD1208J-103	PAD,9X17X42,4HOLES,W/BP,DVE GRY,W/S	20.03
CWPD1208J-104	PAD,9X17X42,4HOLES,W/BP,CROCUS,W/SL	20.04
CWPD1208J-105	PAD,9X17X42,4HOLES,W/BP,GROTTO,W/SL	20.05
CWPD1208J-106	PAD,9X17X42,4HOLES,W/BP,GRAPHITE,W/	20.06

CWPD1208J-107	PAD,9X17X42,4HOLES,W/BP,RED,W/SLIP	20.07
CWPD1208J-108	PAD,9X17X42,4HOLES,W/BP,CHN GRN,W/S	20.08
CWPD1208J-109	PAD,9X17X42,4HOLES,W/BP,TURQSE,W/SL	20.09
CWPD1208J-110	PAD,9X17X42,4HOLES,W/BP,RASP,W/SLIP	20.1
CWPD1208J-111	PAD,9X17X42,4HOLES,W/BP,PLUM,W/SLIP	20.11
CWPD1208J-112	PAD,9X17X42,4HOLES,W/BP,REGIMENT,W/	20.12
CWPD1208J-113	PAD,9X17X42,4HOLES,W/BP,SPC BLUE,W/	20.13
CWPD1208J-115	PAD,9X17X42,4HOLES,W/BP,BLK LTHR,W/	20.15
CWPD1208J-116	PAD,9X17X42,4HOLES,W/BP,NVBL LTH,W/	20.16
CWPD1208J-117	PAD,9X17X42,4HOLES,W/BP,PUTTY,W/SLI	20.17
CWPD1208J-118	PAD,9X17X42,4HOLES,W/BP,IMPRL BL,W/	20.18
CWPD1208J-119	PAD,9X17X42,4HOLES,W/BP,YEW GRN,W/S	20.19
CWPD1208J-120	PAD,9X17X42,4HOLES,W/BP,DSTY JD,W/S	20.2
CWPD1208J-121	PAD,9X17X42,4HOLES,W/BP,TER COT,W/S	20.21
CWPD1208J-122	PAD,9X17X42,4HOLES,W/BP,PAPRIKA,W/S	20.22
CWPD1208J-123	PAD,9X17X42,4HLS,W/BP,ASH LTHR,W/SL	20.23
CWPD1208J-124	PAD,9X17X42,4HLS,W/BP,CERULAN LTHR,	20.24
CWPD1208J-125	PAD,9X17X42,4HLS,W/BP,CHARCOAL LTHR	20.25
CWPD1208J-126	PAD,9X17X42,4HLS,W/BP,HUNTER LTHR,W	20.26
CWPD1208J-127	PAD,9X17X42,4HLS,W/BP,MOSS LTHR,W/S	20.27
CWPD1208J-128	PAD,9X17X42,4HLS,W/BP,SPICE LTHR,W/	20.28
CWPD1208J-129	PAD,9X17X42,4HLS,W/BP,TOMATO LTHR,W	20.29
CWPD1505B-101	PAD,ANG,2P(6X17)(9X17)BLK	21.01
CWPD1505B-102	PAD,ANG,2P(6X17)(9X17)RY BL	21.02
CWPD1505B-103	PAD,ANG,2P(6X17)(9X17)DV GR	21.03
CWPD1505B-104	PAD,ANG,2P(6X17)(9X17)CRCS	21.04
CWPD1505B-105	PAD,ANG,2P(6X17)(9X17)GRTO	21.05
CWPD1505B-106	PAD,ANG,2P(6X17)(9X17)GRPHT	21.06
CWPD1505B-107	PAD,ANG,2P(6X17)(9X17)RED	21.07
CWPD1505B-108	PAD,ANG,2P(6X17)(9X17)CH GR	21.08
CWPD1505B-109	PAD,ANG,2P(6X17)(9X17)TRQS	21.09
CWPD1505B-110	PAD,ANG,2P(6X17)(9X17)RASP	21.1
CWPD1505B-111	PAD,ANG,2P(6X17)(9X17)PLUM	21.11
CWPD1505B-112	PAD,ANG,2P(6X17)(9X17)RGMT	21.12
CWPD1505B-113	PAD,ANG,2P(6X17)(9X17)SP BL	21.13
CWPD1505B-115	PAD,ANG,2P(6X17)(9X17)BLK LT	21.15
CWPD1505B-116	PAD,ANG,2P(6X17)(9X17)NBL LT	21.16
CWPD1505B-117	PAD,ANG,2P(6X17)(9X17),PUTTY	21.17
CWPD1505B-118	PAD,ANG,2P(6X17)(9X17),IMPRL BL	21.18
CWPD1505B-119	PAD,ANG,2P(6X17)(9X17),YEW GRN	21.19
CWPD1505B-120	PAD,ANG,2P(6X17)(9X17),DSTY JD	21.2
CWPD1505B-121	PAD,ANG,2P(6X17)(9X17),TER COT	21.21
CWPD1505B-122	PAD,ANG,2P(6X17)(9X17),PAPRIKA	21.22
CWPD1505B-123	PAD,ANG,2P,6X17,9X17,ASH LTHR	21.23
CWPD1505B-124	PAD,ANG,2P,6X17,9X17,CERULEAN LTH	21.24
CWPD1505B-125	PAD,ANG,2P,6X17,9X17,CHARCOAL LTH	21.25
CWPD1505B-126	PAD,ANG,2P,6X17,9X17,HUNTER LTHR	21.26
CWPD1505B-127	PAD,ANG,2P,6X17,9X17,MOSS LTHR	21.27
CWPD1505B-128	PAD,ANG,2P,6X17,9X17,SPICE LTHR	21.28
CWPD1505B-129	PAD,ANG,2P,6X17,9X17,TOMATO LTHR	21.29
CWPD1401A-101	PAD,5.625ODX1.5IDX8.125,BLACK	22.01

CWPD1401A-102	PAD,5.625ODX1.5IDX8.125,RYL BL	22.02
CWPD1401A-103	PAD,5.625ODX1.5IDX8.125,DV GRY	22.03
CWPD1401A-104	PAD,5.625ODX1.5IDX8.125,CROCUS	22.04
CWPD1401A-105	PAD,5.625ODX1.5IDX8.125,GROTTO	22.05
CWPD1401A-106	PAD,5.625ODX1.5IDX8.125,GRPHT	22.06
CWPD1401A-107	PAD,5.625ODX1.5IDX8.125,RED	22.07
CWPD1401A-108	PAD,5.625ODX1.5IDX8.125,CH GRN	22.08
CWPD1401A-109	PAD,5.625ODX1.5IDX8.125,TURQSE	22.09
CWPD1401A-110	PAD,5.625ODX1.5IDX8.125,RASP	22.1
CWPD1401A-111	PAD,5.625ODX1.5IDX8.125,PLUM	22.11
CWPD1401A-112	PAD,5.625ODX1.5IDX8.125,REGMNT	22.12
CWPD1401A-113	PAD,5.625ODX1.5IDX8.125,SP BLUE	22.13
CWPD1401A-115	PAD,5.625ODX1.5IDX8.125,BLK LTH	22.15
CWPD1401A-116	PAD,5.625ODX1.5IDX8.125,NB LTH	22.16
CWPD1401A-117	PAD,5.625ODX1.5IDX8.125,PUTTY	22.17
CWPD1401A-118	PAD,5.625ODX1.5IDX8.125,IMPRL BL	22.18
CWPD1401A-119	PAD,5.625ODX1.5IDX8.125,YEW GRN	22.19
CWPD1401A-120	PAD,5.625ODX1.5IDX8.125,DSTY JD	22.2
CWPD1401A-121	PAD,5.625ODX1.5IDX8.125,TER COT	22.21
CWPD1401A-122	PAD,5.625ODX1.5IDX8.125,PAPRIKA	22.22
CWPD1401A-123	PAD,5.625ODX1.5IDX8.125,ASH LTHR	22.23
CWPD1401A-124	PAD,5.625ODX1.5IDX8.125,CERULN LTH	22.24
CWPD1401A-125	PAD,5.625ODX1.5IDX8.125,CHARCL LTH	22.25
CWPD1401A-126	PAD,5.625ODX1.5IDX8.125,HUNTER LTH	22.26
CWPD1401A-127	PAD,5.625ODX1.5IDX8.125,MOSS LTHR	22.27
CWPD1401A-128	PAD,5.625ODX1.5IDX8.125,SPICE LTHR	22.28
CWPD1401A-129	PAD,5.625ODX1.5IDX8.125,TOMATO LTHR	22.29
CWPF1421-741	BAR,STEEL RND, DIA 1 1/4" X (20), 1	23
CWSA2033-731	ASSY, ADJ, LEVELING FOOT,30 DEGREE,	24
CWHCYN050-100	SCREW,HEX HEAD,BLK XYLAN,1/2-13 X 1	25
CW10175-108	RIVIT, DIA .187, .376-.500 GRIP RAN	26
CWLDNN031-150	PIN, ROLL, DIA. 5/16 X 1 1/2	27
CWTAYN031-150	SCREW, BUTTON HEAD, BLK XYLAN,5/16	28
CWTAYN031-300	SCREW, BUTTON HEAD, BLK XYLAN,5/16	29
CWTAYN050-100	SCREW, BUTTON HEAD, BLK XYLAN, 1/2	30
CWCAYN038-100	SCREW, SOCKET HEAD, BLK XYLAN, 3/	31
CWWBKN031-007	WASHER, FLAT, TYPE A, SAE, 5/16 ID	32
CWWBKN038-007	WASHER, FLAT, TYPE A, SAE, 3/8 ID	33
CWWBKN050-010	WASHER, FLAT, TYPE A, SAE, 1/2 ID X	34
CWWNKN138-016	WASHER, FLAT, 1 3/8 ID X 3 OD, 0.15	35
CWWALYN031-008	WASHER, SPLIT, 5/16 ID, BL	36
CWWALYN038-009	WASHER, SPLIT, 3/8 ID, BLK XYLAN	37
CWWALYN050-013	WASHER, SPLIT, 1/2 ID, BLK XYLAN	38
CWFA1123-901	SPACER, STEEL,5/8 OD X 1/2 ID X 3/8	39
CW30010-101	LABEL,WARNING STRENGTH	40
CW31756-101	LABEL, PRECOR USA ICARIAN LINE	41
CW31759-101	LABEL,SMALL PRECOR USA ICARIAN LINE	42
CWAC1177-101	FLOOR PROTECTOR, RUBBER, 4.563 X 4.	501
CWAC1180-101	FLOOR PROTECTOR, RUBBER, 2.563 X 4.	502
CW32203-101	LITERATURE KIT, 411 OLYMPIC DECLINE	999

411 Olympic Decline Bench

Part Number	Description	Bubble Number
CW411SA1-211	ASSY,FRAME,MAIN,411,SKY WHITE	1.01
CW411SA1-221	ASSY,FRAME,MAIN,411,BLACK	1.02
CW411SA1-231	ASSY,FRAME,MAIN,411,RED	1.03
CW411SA1-241	ASSY,FRAME,MAIN,411,PLAT SPRKLE	1.04
CW411SA1-251	ASSY,FRAME,MAIN,411,SILVER	1.05
CW411SA1-261	ASSY,FRAME,MAIN,411,BLUE	1.06
CW411SA1-271	ASSY,FRAME,MAIN,411,CHARCOAL	1.07
CW411SA1-281	ASSY,FRAME,MAIN,411,CATH GRAY	1.08
CW411SA1-291	ASSY,FRAME,MAIN,411,SILVER VIEN	1.09
CW411SA1-311	ASSY,FRAME,MAIN,411,STONE HG	1.11
CW411SA1-321	ASSY,FRAME,MAIN,411,TITANIUM HG	1.12
CW411SA1-331	ASSY,FRAME,MAIN,411,WHITE GLOSS	1.13
CW411SA1-341	ASSY,FRAME,MAIN,411,BLACK ONYX	1.14
CW411SA1-351	ASSY,FRAME,MAIN,411,LT. BRONZE	1.15
CW411SA1-361	ASSY,FRAME,MAIN,411,SAPPHIRE BL	1.16
CW411SA2-211	ASSY,411,SEAT FRAME,SKY WHITE	2.01
CW411SA2-221	ASSY,411,SEAT FRAME,BLACK	2.02
CW411SA2-231	ASSY,411,SEAT FRAME,RED	2.03
CW411SA2-241	ASSY,411,SEAT FRAME,PLATINUM SPRKLE	2.04
CW411SA2-251	ASSY,411,SEAT FRAME,SILVER	2.05
CW411SA2-261	ASSY,411,SEAT FRAME,BLUE	2.06
CW411SA2-271	ASSY,411,SEAT FRAME,CHARCOAL	2.07
CW411SA2-281	ASSY,411,SEAT FRAME,CATHEDRAL GRAY	2.08
CW411SA2-291	ASSY,411,SEAT FRAME,SILVER VEIN	2.09
CW411SA2-311	ASSY,411,SEAT FRAME,STONE HG	2.11
CW411SA2-321	ASSY,411,SEAT FRAME,TITANIUM HG	2.12
CW411SA2-331	ASSY,411,SEAT FRAME,WHITE GLOSS	2.13
CW411SA2-341	ASSY,411,SEAT FRAME,BLACK ONYX	2.14
CW411SA2-351	ASSY,411,SEAT FRAME,LIGHT BRONZE	2.15
CW411SA2-361	ASSY,411,SEAT FRAME,SAPPHIRE BLUE	2.16
CW10043-135	BUSHING, BRONZE, 1 1/4" ID X 1 1/2"	4
CW11311-102	ENDCAP, REC TUBE, 2X4, BLK PLASTIC	5
CW11311-103	ENDCAP, REC TUBE, 2X2, BLK PLASTIC	6
CW12402-101	BUMPER, WEIGHT STACK, BLK RUBBER	7
CWGR2505-000	GRIP,RUBBER,3/4" DIA, 5"	11
CWAC220-901	HANDLE END CAP W/SET SCREWS, DIA 3/	12
CWAC221-901	SHAFT END CAP W/SET SCREWS, DIA 1 1	13
CWCP1012-101	CUT PIECE, UHMW, 1 1/2 OD X 1 ID X	14
CWCP1013-102	CUT PIECE, UHMW, 1/4 X 3 7/8 X 18	15
CWCP1013-101	CUT PIECE, UHMW, 1/4 X 3 7/8 X 18	16
CWCP1079-101	SHIELD ABS ANGLE 2X4X12	17
CWCP1080-101	SHIELD ABS ANGLE 2X4X17	18
CWCP8112-000	CUT PIECE, ABS CHANNEL,1/8 X 2 X 4	19
CWPD1208J-101	PAD,9X17X42,4HOLES,W/BP,BLACK,W/SLI	20.01
CWPD1208J-102	PAD,9X17X42,4HOLES,W/BP,RYL BL,W/SL	20.02
CWPD1208J-103	PAD,9X17X42,4HOLES,W/BP,DVE GRY,W/S	20.03
CWPD1208J-104	PAD,9X17X42,4HOLES,W/BP,CROCUS,W/SL	20.04
CWPD1208J-105	PAD,9X17X42,4HOLES,W/BP,GROTTO,W/SL	20.05
CWPD1208J-106	PAD,9X17X42,4HOLES,W/BP,GRAPHITE,W/	20.06

CWPD1208J-107	PAD,9X17X42,4HOLES,W/BP,RED,W/SLIP	20.07
CWPD1208J-108	PAD,9X17X42,4HOLES,W/BP,CHN GRN,W/S	20.08
CWPD1208J-109	PAD,9X17X42,4HOLES,W/BP,TURQSE,W/SL	20.09
CWPD1208J-110	PAD,9X17X42,4HOLES,W/BP,RASP,W/SLIP	20.1
CWPD1208J-111	PAD,9X17X42,4HOLES,W/BP,PLUM,W/SLIP	20.11
CWPD1208J-112	PAD,9X17X42,4HOLES,W/BP,REGIMENT,W/	20.12
CWPD1208J-113	PAD,9X17X42,4HOLES,W/BP,SPC BLUE,W/	20.13
CWPD1208J-115	PAD,9X17X42,4HOLES,W/BP,BLK LTHR,W/	20.15
CWPD1208J-116	PAD,9X17X42,4HOLES,W/BP,NVBL LTH,W/	20.16
CWPD1208J-117	PAD,9X17X42,4HOLES,W/BP,PUTTY,W/SLI	20.17
CWPD1208J-118	PAD,9X17X42,4HOLES,W/BP,IMPRL BL,W/	20.18
CWPD1208J-119	PAD,9X17X42,4HOLES,W/BP,YEW GRN,W/S	20.19
CWPD1208J-120	PAD,9X17X42,4HOLES,W/BP,DSTY JD,W/S	20.2
CWPD1208J-121	PAD,9X17X42,4HOLES,W/BP,TER COT,W/S	20.21
CWPD1208J-122	PAD,9X17X42,4HOLES,W/BP,PAPRIKA,W/S	20.22
CWPD1208J-123	PAD,9X17X42,4HLS,W/BP,ASH LTHR,W/SL	20.23
CWPD1208J-124	PAD,9X17X42,4HLS,W/BP,CERULAN LTHR,	20.24
CWPD1208J-125	PAD,9X17X42,4HLS,W/BP,CHARCOAL LTHR	20.25
CWPD1208J-126	PAD,9X17X42,4HLS,W/BP,HUNTER LTHR,W	20.26
CWPD1208J-127	PAD,9X17X42,4HLS,W/BP,MOSS LTHR,W/S	20.27
CWPD1208J-128	PAD,9X17X42,4HLS,W/BP,SPICE LTHR,W/	20.28
CWPD1208J-129	PAD,9X17X42,4HLS,W/BP,TOMATO LTHR,W	20.29
CWPD1505B-101	PAD,ANG,2P(6X17)(9X17)BLK	21.01
CWPD1505B-102	PAD,ANG,2P(6X17)(9X17)RY BL	21.02
CWPD1505B-103	PAD,ANG,2P(6X17)(9X17)DV GR	21.03
CWPD1505B-104	PAD,ANG,2P(6X17)(9X17)CRCS	21.04
CWPD1505B-105	PAD,ANG,2P(6X17)(9X17)GRTO	21.05
CWPD1505B-106	PAD,ANG,2P(6X17)(9X17)GRPHT	21.06
CWPD1505B-107	PAD,ANG,2P(6X17)(9X17)RED	21.07
CWPD1505B-108	PAD,ANG,2P(6X17)(9X17)CH GR	21.08
CWPD1505B-109	PAD,ANG,2P(6X17)(9X17)TRQS	21.09
CWPD1505B-110	PAD,ANG,2P(6X17)(9X17)RASP	21.1
CWPD1505B-111	PAD,ANG,2P(6X17)(9X17)PLUM	21.11
CWPD1505B-112	PAD,ANG,2P(6X17)(9X17)RGMT	21.12
CWPD1505B-113	PAD,ANG,2P(6X17)(9X17)SP BL	21.13
CWPD1505B-115	PAD,ANG,2P(6X17)(9X17)BLK LT	21.15
CWPD1505B-116	PAD,ANG,2P(6X17)(9X17)NBL LT	21.16
CWPD1505B-117	PAD,ANG,2P(6X17)(9X17),PUTTY	21.17
CWPD1505B-118	PAD,ANG,2P(6X17)(9X17),IMPRL BL	21.18
CWPD1505B-119	PAD,ANG,2P(6X17)(9X17),YEW GRN	21.19
CWPD1505B-120	PAD,ANG,2P(6X17)(9X17),DSTY JD	21.2
CWPD1505B-121	PAD,ANG,2P(6X17)(9X17),TER COT	21.21
CWPD1505B-122	PAD,ANG,2P(6X17)(9X17),PAPRIKA	21.22
CWPD1505B-123	PAD,ANG,2P,6X17,9X17,ASH LTHR	21.23
CWPD1505B-124	PAD,ANG,2P,6X17,9X17,CERULEAN LTH	21.24
CWPD1505B-125	PAD,ANG,2P,6X17,9X17,CHARCOAL LTH	21.25
CWPD1505B-126	PAD,ANG,2P,6X17,9X17,HUNTER LTHR	21.26
CWPD1505B-127	PAD,ANG,2P,6X17,9X17,MOSS LTHR	21.27
CWPD1505B-128	PAD,ANG,2P,6X17,9X17,SPICE LTHR	21.28
CWPD1505B-129	PAD,ANG,2P,6X17,9X17,TOMATO LTHR	21.29
CWPD1401A-101	PAD,5.625ODX1.5IDX8.125,BLACK	22.01

CWPD1401A-102	PAD,5.625ODX1.5IDX8.125,RYL BL	22.02
CWPD1401A-103	PAD,5.625ODX1.5IDX8.125,DV GRY	22.03
CWPD1401A-104	PAD,5.625ODX1.5IDX8.125,CROCUS	22.04
CWPD1401A-105	PAD,5.625ODX1.5IDX8.125,GROTTO	22.05
CWPD1401A-106	PAD,5.625ODX1.5IDX8.125,GRPHTE	22.06
CWPD1401A-107	PAD,5.625ODX1.5IDX8.125,RED	22.07
CWPD1401A-108	PAD,5.625ODX1.5IDX8.125,CH GRN	22.08
CWPD1401A-109	PAD,5.625ODX1.5IDX8.125,TURQSE	22.09
CWPD1401A-110	PAD,5.625ODX1.5IDX8.125,RASP	22.1
CWPD1401A-111	PAD,5.625ODX1.5IDX8.125,PLUM	22.11
CWPD1401A-112	PAD,5.625ODX1.5IDX8.125,REGMNT	22.12
CWPD1401A-113	PAD,5.625ODX1.5IDX8.125,SP BLUE	22.13
CWPD1401A-115	PAD,5.625ODX1.5IDX8.125,BLK LTH	22.15
CWPD1401A-116	PAD,5.625ODX1.5IDX8.125,NB LTH	22.16
CWPD1401A-117	PAD,5.625ODX1.5IDX8.125,PUTTY	22.17
CWPD1401A-118	PAD,5.625ODX1.5IDX8.125,IMPRL BL	22.18
CWPD1401A-119	PAD,5.625ODX1.5IDX8.125,YEW GRN	22.19
CWPD1401A-120	PAD,5.625ODX1.5IDX8.125,DSTY JD	22.2
CWPD1401A-121	PAD,5.625ODX1.5IDX8.125,TER COT	22.21
CWPD1401A-122	PAD,5.625ODX1.5IDX8.125,PAPRIKA	22.22
CWPD1401A-123	PAD,5.625ODX1.5IDX8.125,ASH LTHR	22.23
CWPD1401A-124	PAD,5.625ODX1.5IDX8.125,CERULN LTH	22.24
CWPD1401A-125	PAD,5.625ODX1.5IDX8.125,CHARCL LTH	22.25
CWPD1401A-126	PAD,5.625ODX1.5IDX8.125,HUNTER LTH	22.26
CWPD1401A-127	PAD,5.625ODX1.5IDX8.125,MOSS LTHR	22.27
CWPD1401A-128	PAD,5.625ODX1.5IDX8.125,SPICE LTHR	22.28
CWPD1401A-129	PAD,5.625ODX1.5IDX8.125,TOMATO LTHR	22.29
CWPF1421-741	BAR,STEEL RND, DIA 1 1/4" X (20), 1	23
CWSA2033-731	ASSY, ADJ, LEVELING FOOT,30 DEGREE,	24
CWHCYN050-100	SCREW,HEX HEAD,BLK XYLAN,1/2-13 X 1	25
CW10175-108	RIVIT, DIA .187, .376-.500 GRIP RAN	26
CWLDNN031-150	PIN, ROLL, DIA. 5/16 X 1 1/2	27
CWTAYN031-150	SCREW, BUTTON HEAD, BLK XYLAN,5/16	28
CWTAYN031-300	SCREW, BUTTON HEAD, BLK XYLAN,5/16	29
CWTAYN050-100	SCREW, BUTTON HEAD, BLK XYLAN, 1/2	30
CWCAYN038-100	SCREW, SOCKET HEAD, BLK XYLAN, 3/	31
CWWBKN031-007	WASHER, FLAT, TYPE A, SAE, 5/16 ID	32
CWWBKN038-007	WASHER, FLAT, TYPE A, SAE, 3/8 ID	33
CWWBKN050-010	WASHER, FLAT, TYPE A, SAE, 1/2 ID X	34
CWWNKN138-016	WASHER, FLAT, 1 3/8 ID X 3 OD, 0.15	35
CWWALYN031-008	WASHER, SPLIT, 5/16 ID, BL	36
CWWALYN038-009	WASHER, SPLIT, 3/8 ID, BLK XYLAN	37
CWWALYN050-013	WASHER, SPLIT, 1/2 ID, BLK XYLAN	38
CWFA1123-901	SPACER, STEEL,5/8 OD X 1/2 ID X 3/8	39
CW30010-101	LABEL,WARNING STRENGTH	40
CW31756-101	LABEL, PRECOR USA ICARIAN LINE	41
CW31759-101	LABEL,SMALL PRECOR USA ICARIAN LINE	42
CWAC1177-101	FLOOR PROTECTOR, RUBBER, 4.563 X 4.	501
CWAC1180-101	FLOOR PROTECTOR, RUBBER, 2.563 X 4.	502
CW32203-101	LITERATURE KIT, 411 OLYMPIC DECLINE	999